

## TOA 288

### Fuel Efficient & Compact Engine

Capable to operate under harsh environmental conditions

Suitable for pusher and tractor applications

Horizontal or vertical installation



[www.suter-aviation.ch](http://www.suter-aviation.ch)  
[www.suter-industries.ch](http://www.suter-industries.ch)

**SUTER INDUSTRIES AG**  
Head-Quarter

Mr. Lars Jäger  
Mettlenstrasse 3  
8488 Turbenthal - Switzerland  
Phone: +41 52 397 10 60  
Mail: [info@suter-industries.ch](mailto:info@suter-industries.ch)

**CAE GmbH**  
For International

Mr. Dietrich Kehe  
Maria Jacobi Gasse 1  
1030 Vienna - Austria  
Phone: +49 172 900 2619  
Mail: [info@cae-engines.com](mailto:info@cae-engines.com)

**UAV PROPULSION TECH**  
Representative for USA

Mr. Bob Schmidt  
1501 W. Horatio St., #102  
33606 Tampa (FL) - USA  
Phone: +1(810)441-1457  
Mail: [bob@uavpropulsiontech.com](mailto:bob@uavpropulsiontech.com)

## Technical Data

Service Ceiling	20'000 ft
Performance	17,6 kW at 6'500 rpm (23,9 HP) 27,2 Nm at 6'000 rpm
Fuel Efficiency	315 g/kWh (BSFC)
Displacement	288 cm <sup>3</sup>
Weight	8,9 kg engine 1,9 kg exhaust & silence 1,2 kg 1 kw / 28VDC regulator
Management & Control	ECU / 12V-system Automatic via ECU
Ignition System	CDI (Capacitor Discharge Ignition)
Fuel	Min. 95RON (90AON MOGAS) <b>or</b> AVGAS LL100
Mixture	1:60 (1,6 %) 2-stroke oil API TC

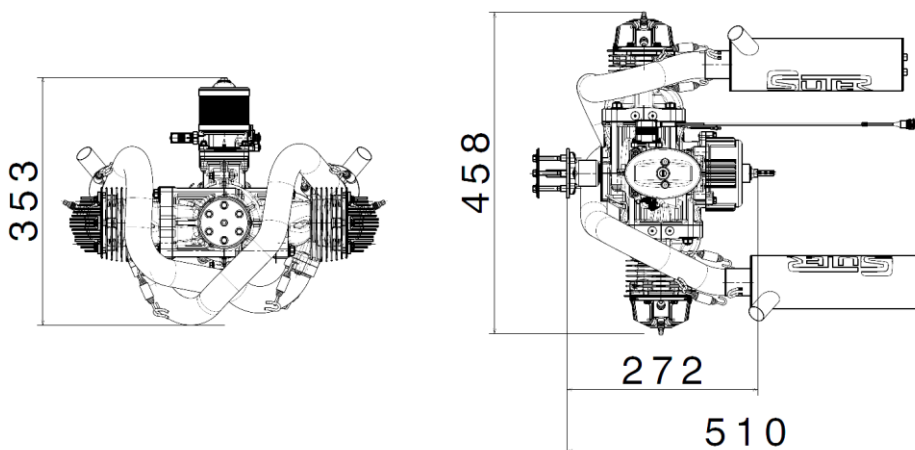
## Technical Features

- Two-cylinder, two-stroke boxer engine
- ▶ horizontal & vertical Installation
  - ▶ crankshaft in high strength steel, single piece connecting rods with needle bearings
  - ▶ Cylinders in casted aluminium, nickel-silicone coated barrel
  - ▶ Throttle control by SERVO, controlled via ECU
  - ▶ ECU for fuel, ignition, cold start, EGT, CHT, altitude compensation, overheat protection

### Options

- ▶ Oil injection
- ▶ 2 kW / 28 VDC Starter Generator Central Unit
- ▶ 0,5 kW / 28 VDC General Centre Unit
- ▶ Double ignition
- ▶ Reduction drive

## Dimensions



## Performance Curve

